



# Assembly Instructions

## Rayo 2 Seat Lounge Set

(Product Codes: 68603149, 68602149 68800149 & 68600149)

**PLEASE RETAIN THIS DOCUMENT ALONG WITH YOUR  
PROOF OF PURCHASE FOR FUTURE REFERENCE**

Congratulations on your recent purchase of your beautiful Hartman furniture. We hope it brings you countless special moments with friends and family for many years to come.

Please follow these simple steps to build your furniture. We also have a very useful video available online to assist with the assembly, please visit [www.hartmanuk.com](http://www.hartmanuk.com)

### TOP TIPS

- Please read these instructions carefully before assembly, for further assistance please view our assembly video online for an easy step by step demonstration.
- Aluminium is a soft metal and over tightening may strip the thread or break the part, please loosely assembly your furniture before tightening to secure.
- Please **do not** use power tools, only use the tools provided in the bolt pack.
- Please allow 1 hour for assembly.
- This furniture can be assembled with **1** person; however, you may need someone to assist you when turning the furniture over into position.



# Assembly Instructions

## **Rayo Lounge Stool** **(Product Codes: 68602149)**

**PLEASE RETAIN THIS DOCUMENT ALONG WITH YOUR  
PROOF OF PURCHASE FOR FUTURE REFERENCE**







Congratulations on your recent purchase of your beautiful Hartman furniture. We hope it brings you countless special moments with friends and family for many years to come.

Please follow these simple steps to build your furniture. We also have a very useful video available online to assist with the assembly, please visit [www.hartmanuk.com](http://www.hartmanuk.com)

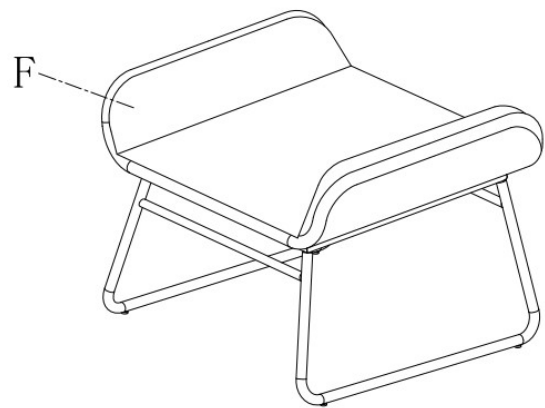
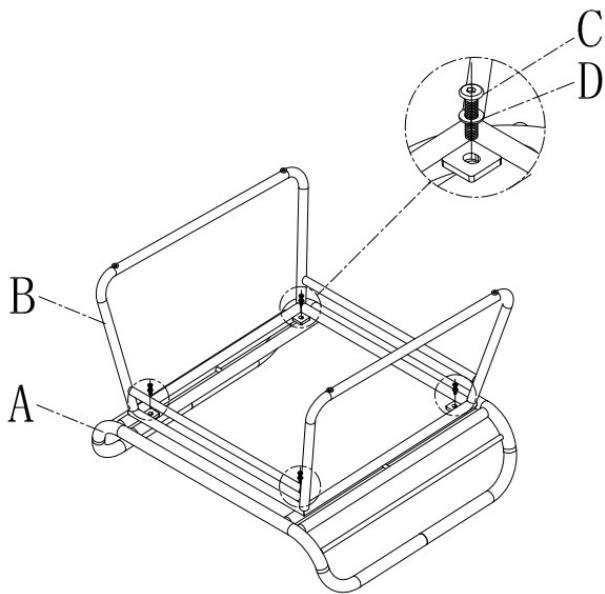
### **TOP TIPS**

- Please read these instructions carefully before assembly, for further assistance please view our assembly video online for an easy step by step demonstration.
- Aluminium is a soft metal and over tightening may strip the thread or break the part, please loosely assembly your furniture before tightening to secure.
- Please **do not** use power tools, please only use the tools provided in the bolt pack.
- Please allow 1 hour for assembly.
- This furniture can be assembled with **1** person; however, you may need someone to assist you when turning the furniture over into position.

# PARTS LIST

Components					Fixings				
Parts List	Parts Picture	Description	Qty	Part No	Parts List	Parts Picture	Description	Qty	Part No
A		Seat Frame	1	68602149A	C		M6x20 Bolts	4	1091162
B		Leg Frame	1	68602149B	D		Big Flat Washers	4	1062162
F		Cushion	1	68602149F	E		Allen Key	1	2002191

## STEP 1 & 2: LEG ASSEMBLY



**STEP 1:** Attach leg frame (B) to the seating frame (A) with bolts (C) and big flat washers (D) using the Allen key (E). Tighten all bolts using the Allen key (E) one by one being careful not to over tighten any as this will cause the thread to become damaged.

**STEP 2:** Turn the stool over and place in desired position, put the cushion (F) on the seat. You can now use the stool.

NB: The cushion is **not** Weatherready®. Store indoors when not in use to prevent damage.



# Assembly Instructions

## **Rayo 2 Seat Lounge Sofa & 2 x Rayo Lounge Chairs**

**(Product Codes: 68603149)**

**PLEASE RETAIN THIS DOCUMENT ALONG WITH YOUR  
PROOF OF PURCHASE FOR FUTURE REFERENCE**







Congratulations on your recent purchase of your beautiful Hartman furniture. We hope it brings you countless special moments with friends and family for many years to come.

Please follow these simple steps to build your furniture. We also have a very useful video available online to assist with the assembly, please visit [www.hartmanuk.com](http://www.hartmanuk.com)

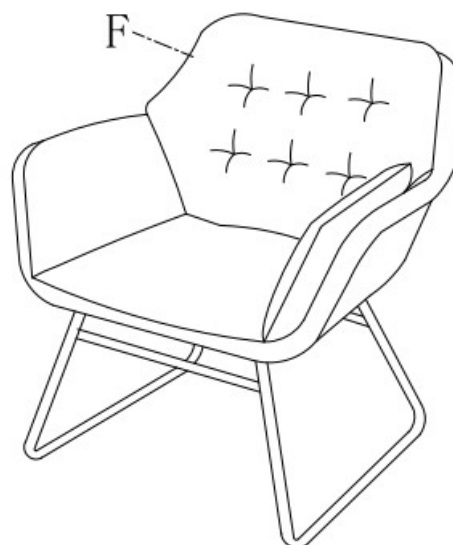
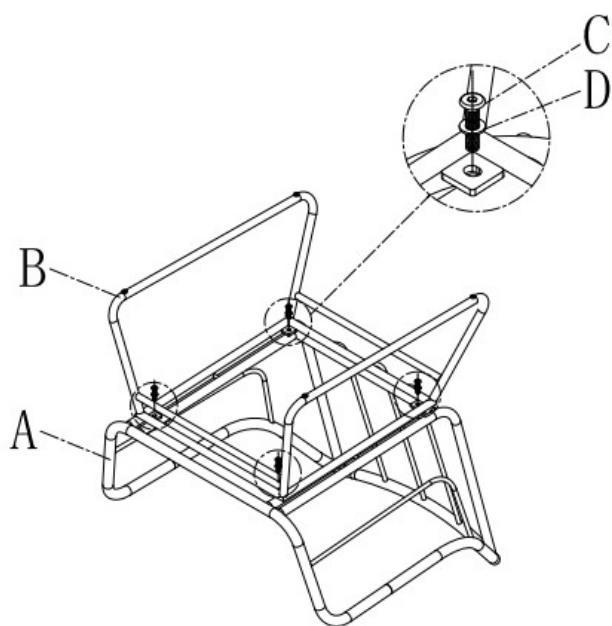
### **TOP TIPS**

- Please read these instructions carefully before assembly, for further assistance please view our assembly video online for an easy step by step demonstration.
- Aluminium is a soft metal and over tightening may strip the thread or break the part, please loosely assembly your furniture before tightening to secure.
- Please **do not** use power tools, please only use the tools provided in the bolt pack.
- Please allow 1 hour for assembly.
- This furniture can be assembled with **1** person; however, you may need someone to assist you when turning the furniture over into position.

## PARTS LIST - LOUNGE CHAIR

Components					Fixings				
Parts List	Parts Picture	Description	Qty	Part no	Parts List	Parts Picture	Description	Qty	Part no
A		Lounge Chair Seat Frame	1	68603149A	C		M6x20 Bolts	4	1091162
B		Lounge Chair Leg Frame	1	68603149B	D		Big Flat Washers	4	1062162
F		Lounge Chair Cushion	1	68603149F	E		Allen Key	1	2002191

### STEP 1 & 2: LEG ASSEMBLY


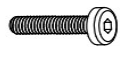
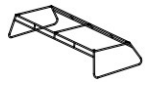

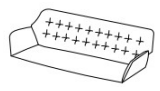



**STEP 1:** Attach leg frame (B) to the seating frame (A) with bolts (C) and big flat washers (D) using the Allen key (E). Tighten all bolts using the Allen key (E) one by one being careful not to over tighten any as this will cause the thread to become damaged.

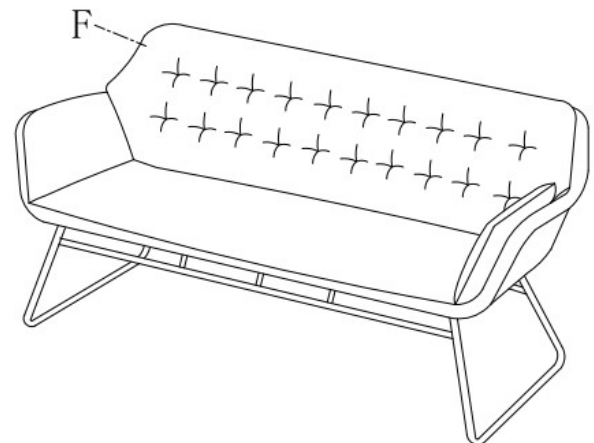
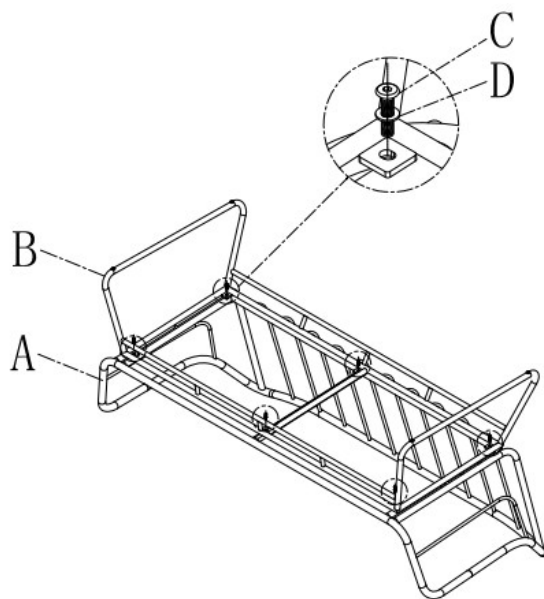
**STEP 2:** Turn the chair over and place in desired position, put the cushion (F) on the chair. You can now use the chair.

NB: The cushion is **not** Weatherready®. Store indoors when not in use to prevent damage.

## PARTS LIST - 2 SEAT LOUNGE SOFA

Components					Fixings				
Parts List	Parts Picture	Description	Qty	Part no	Parts List	Parts Picture	Description	Qty	Part no
A		2 Seat Sofa Seat Frame	1	68603149A1	C		M6x20 Bolts	6	1091162
B		2 Seat Sofa Leg Frame	1	68603149B1	D		Big Flat Washers	6	1062162
F		2 Seat Sofa Cushion	1	68603149F1	E		Allen Key	1	2002191

### STEP 1 & 2: LEG ASSEMBLY



**STEP 1:** Attach leg frame (B) to the seating frame (A) with bolts (C) and big flat washers (D) using the Allen key (E). Tighten all bolts using the Allen key (E) one by one being careful not to over tighten any as this will cause the thread to become damaged.

**STEP 2:** Turn the sofa over and place in desired position, put the cushion (F) on the seat. You can now use the chair.

NB: The cushion is **not** Weatherready®. Store indoors when not in use to prevent damage.



# Assembly Instructions

## Rayo 80cm Round Coffee Table

(Product Codes: 68800149)

**PLEASE RETAIN THIS DOCUMENT ALONG WITH YOUR  
PROOF OF PURCHASE FOR FUTURE REFERENCE**





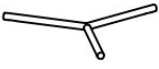

Congratulations on your recent purchase of your beautiful Hartman furniture. We hope it brings you countless special moments with friends and family for many years to come.

Please follow these simple steps to build your furniture. We also have a very useful video available online to assist with the assembly, please visit [www.hartmanuk.com](http://www.hartmanuk.com)

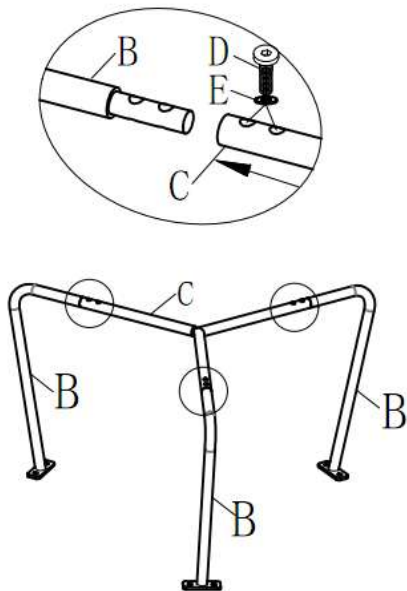
### TOP TIPS

- Please read these instructions carefully before assembly, for further assistance please view our assembly video online for an easy step by step demonstration.
- Aluminium is a soft metal and over tightening may strip the thread or break the part, please loosely assembly your furniture before tightening to secure.
- Please **do not** use power tools, please only use the tools provided in the bolt pack.
- Please allow 1 hour for assembly.
- This furniture can be assembled with **1** person; however, you may need someone to assist you when turning the furniture over into position.

## PARTS LIST

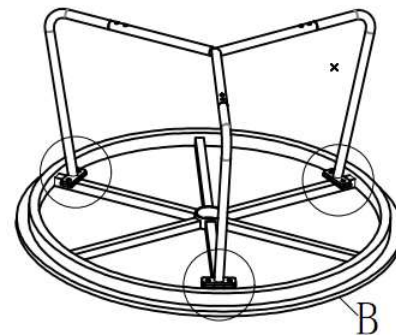
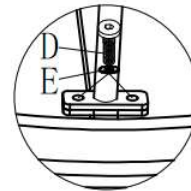
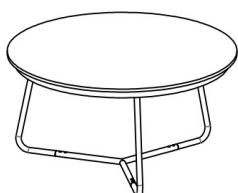
Components					Fixings				
Parts List	Parts Picture	Description	Qty	Part No	Parts List	Parts Picture	Description	Qty	Part No
A		Ceramic Table Top	1	68800149A	D		M6x15 Bolts	12	1011162
B		Leg	3	68800149B	E		M6 Flat Washers	12	1061162
C		Triangle Tube Frame	1	68800149C	F		Allen Key	1	2002191

## STEP 1 & 2: LEG ASSEMBLY



**STEP 1:** Attach leg frame (B) to triangle tube frame (C) with bolts (D) & big flat washers (E), using the Allen key (F).

Don't tighten all bolts on this step.



**STEP 2:** Attach the assembled leg frame to the table top (A) with bolts (D) & big flat washers (E), using the Allen key (F). Tighten all bolts using the Allen key one by one being careful not to over tighten any as this will cause the thread to become damaged.

Turn table top over and place in desired position. You can now use the table.



# Assembly Instructions

## Rayo 60cm Round Coffee Table

(Product Codes: 68600149)

**PLEASE RETAIN THIS DOCUMENT ALONG WITH YOUR  
PROOF OF PURCHASE FOR FUTURE REFERENCE**





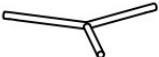

Congratulations on your recent purchase of your beautiful Hartman furniture. We hope it brings you countless special moments with friends and family for many years to come.

Please follow these simple steps to build your furniture. We also have a very useful video available online to assist with the assembly, please visit [www.hartmanuk.com](http://www.hartmanuk.com)

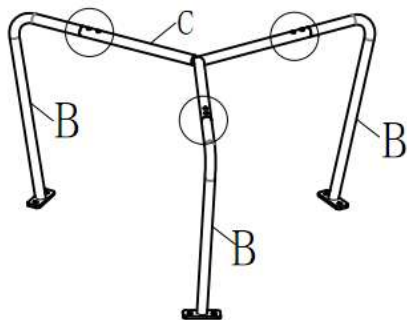
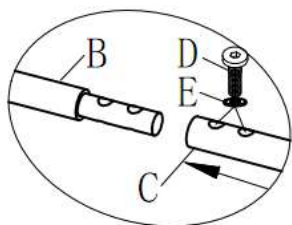
### TOP TIPS

- Please read these instructions carefully before assembly, for further assistance please view our assembly video online for an easy step by step demonstration.
- Aluminium is a soft metal and over tightening may strip the thread or break the part, please loosely assemble your furniture before tightening to secure.
- Please **do not** use power tools, please only use the tools provided in the bolt pack.
- Please allow 1 hour for assembly.
- This furniture can be assembled with **1** person; however, you may need someone to assist you when turning the furniture over into position.

## PARTS LIST

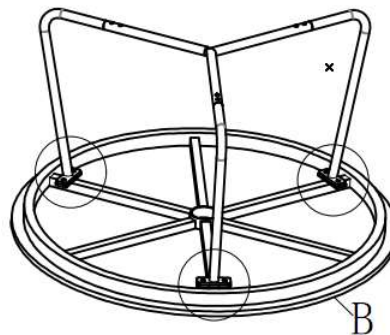
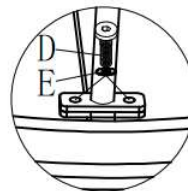
Components					Fixings				
Parts List	Parts Picture	Description	Qty	Part No	Parts List	Parts Picture	Description	Qty	Part No
A		Ceramic Table Top	1	68600149A	D		M6x15 Bolts	12	1011162
B		Leg	3	68600149B	E		M6 Flat Washers	12	1061162
C		Triangle Tube Frame	1	68600149C	F		Allen Key	1	2002191

## STEP 1 & 2: LEG ASSEMBLY



**STEP 1:** Attach leg (B) to triangle tube frame (C) with bolts (D) & big flat washers (E), using the Allen key (F).

Don't tighten all bolts on this step.



**STEP 2:** Attach the assembled leg frame to the table top (A) with bolts (D) & big flat washers (E), using the Allen key (F). Tighten all bolts using the Allen key one by one being careful not to over tighten any as this will cause the thread to become damaged.

Turn table over and place in desired position. You can now use the table.